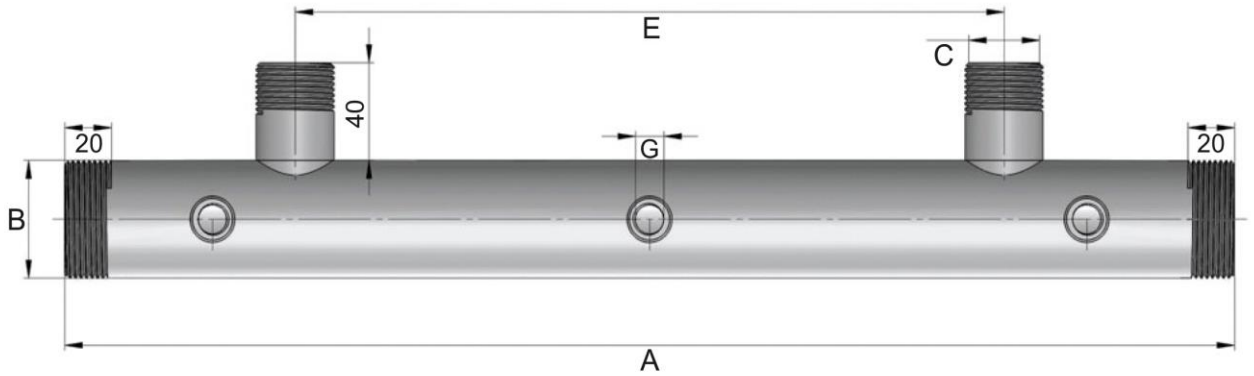
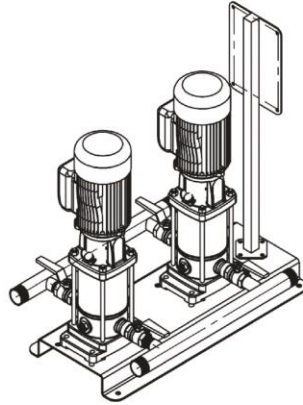


GALVANIZE - AISI 304 MANIFOLD

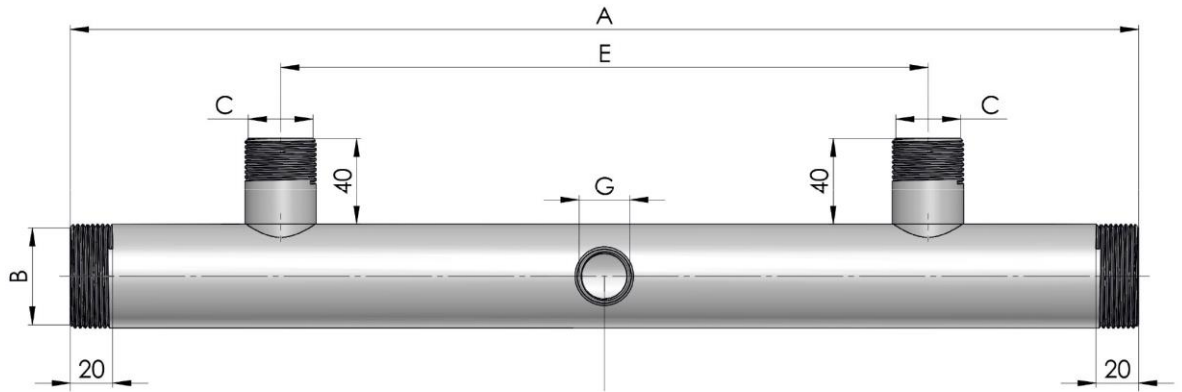
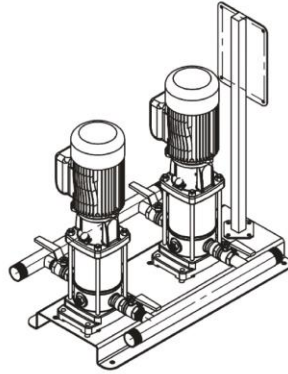
CODE	A	B	C	D
		DN	DN1	
ND 80 - 40	1100	80	40 1/2"	700
ND 80 - 50	1100	80	50 2"	700
ND 100 - 40	1100	100	40 1/2"	700
ND 100 - 50	1100	100	50	700
ND 100 - 65	1100	100	65 2 1/2"	700
ND 100 - 80	1100	100	80	700
ND 125 - 50	1100	125	50	700
ND 125 - 65	1100	125	65	700
ND 125 - 80	1100	125	80	700
ND 125 - 100	1100	125	100	700
ND 150 - 50	1100	150	50	700
ND 150 - 65	1100	150	65	700
ND 150 - 80	1100	150	80	700
ND 150 - 100	1100	150	100	700
ND 200 - 80	1100	200	80	700
ND 200 - 100	1100	200	100	700
ND 200 - 125	1100	200	125	700
ND 250 - 100	1100	250	100	700
ND 250 - 150	1100	250	150	700

STANDARD DELIVERY SIDE MANIFOLDS FOR 2 PUMPS ZINC PLATED STEEL



CODE	A Length	B Main pipe	C Outlets	E Distance between the pumps	G	Weight In Kg
11250.21.30D	500mm	1"1/2	1"M	300mm	1/2"F	1,80
250.21.30D	500mm	2"	1"M	300mm	1/2"F	2,20
250.2114.30D	500mm	2"	1"1/4M	300mm	1/2"F	2,22
250.2112.30D	500mm	2"	1"1/2M	300mm	1/2"F	2,22
270.2112.36D	700mm	2"	1"1/2M	360mm	1/2"F	3,10
21250.2114.30D	500mm	2"1/2	1"1/4M	300mm	1/2"F	2,80
21270.2114.36D	700mm	2"1/2	1"1/4M	360mm	1/2"F	3,00
21250.2112.30D	500mm	2"1/2	1"1/2M	300mm	1/2"F	2,80
21270.2112.36D	700mm	2"1/2	1"1/2M	360mm	1/2"F	3,00
350.22.30D	500mm	3"	2"M	300mm	1/2"F	3,50
370.22.36D	700mm	3"	2"M	360mm	1/2"F	3,80
470.23.36D	700mm	DN100*	3"M	360mm	1/2"F	6,00
*Flanged						

STANDARD SUCTION SIDE MANIFOLDS FOR 2 PUMPS ZINC PLATED STEEL



CODE	A Length	B Main pipe	C Outlets	E Distance between the pumps	G	Weight In Kg
11250.21.30S	500mm	1"1/2	1"M	300mm	1/2"F	1,80
250.21.30S	500mm	2"	1"M	300mm	1/2"F	2,20
250.2114.30S	500mm	2"	1"1/4M	300mm	1/2"F	2,22
250.2112.30S	500mm	2"	1"1/2M	300mm	1/2"F	2,22
270.2112.36S	700mm	2"	1"1/2M	360mm	1/2"F	3,10
21250.2114.30S	500mm	2"1/2	1"1/4M	300mm	1/2"F	2,80
21270.2114.36S	700mm	2"1/2	1"1/4M	360mm	1/2"F	3,00
21250.2112.30S	500mm	2"1/2	1"1/2M	300mm	1/2"F	2,80
21270.2112.36S	700mm	2"1/2	1"1/2M	360mm	1/2"F	3,00
350.22.30S	500mm	3"	2"M	300mm	1/2"F	3,50
370.22.36S	700mm	3"	2"M	360mm	1/2"F	3,80
470.23.36S	700mm	DN100*	3"M	360mm	1/2"F	6,00
*Flanged						